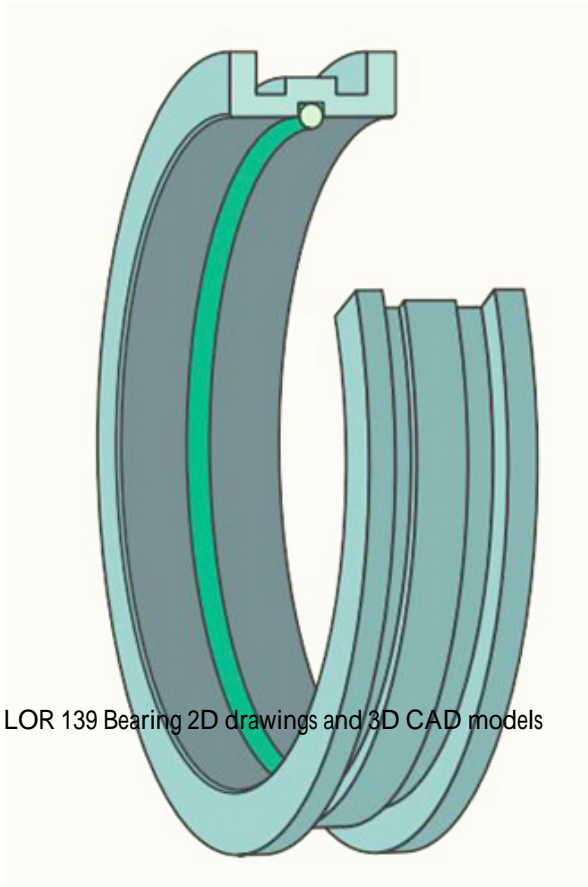




Bunting Bearings, LLC



LOR 139 Bearing 2D drawings and 3D CAD models

SKF LOR 139 Mounted Bearing Components & Accessories

Bearing No. LOR 139

seal type:	Labyrinth
compatible bore diameter:	5-7/8 in
seal material:	Nitrile
compatible bearing type:	Spherical Roller